

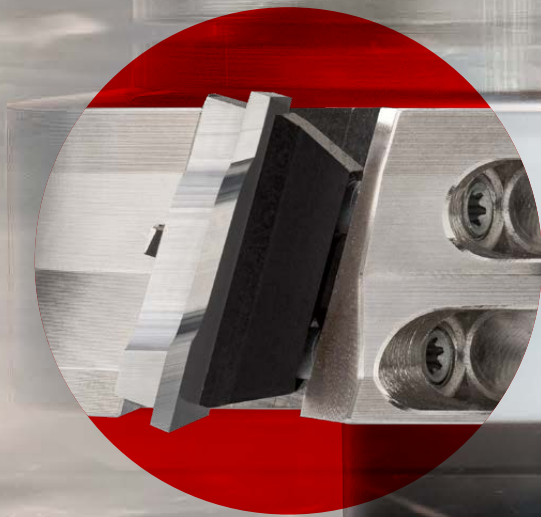
OERTLI



Excellence in solid wood

OERTLI CAT Flex

The most flexible
knife system in the
industry



Multiple profiles with one knife system

Imagine a tool with which you can machine various cutter profiles without removing it:

This is CAT Flex

APPLICATION:

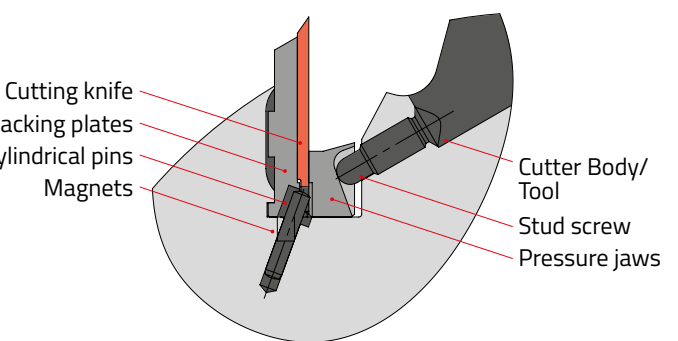
- Frequent profile changes are necessary
- High rotation speed and cutting speed up to 100 m/s

TECHNICAL BENEFITS:

- Different profile cutting knives can be used in the same cutterhead
- No need for interchangeable cutterheads any more
- The cutter set no longer has to be disassembled
- Knife change remains easy and fast
- SP technic assembly is available
- All advantages of the CAT knife system

YOUR BENEFIT:

- Saving of working time (considerably faster changeover)
- Cost reduction - (no additional cutters for different profiles)
- Safety aspect (cutter set is not disassembled every time the profile is changed)
- Consistent quality



Ask your OERTLI consultant - he will be glad to check a possible application in your production environment.

OERTLI Werkzeuge AG

Hofstrasse 1
CH-8181 Höri

T +41 44 863 75 11
F +41 44 863 75 12

info@oertli.com
www.oertli.com

OERTLI 
Excellence in solid wood